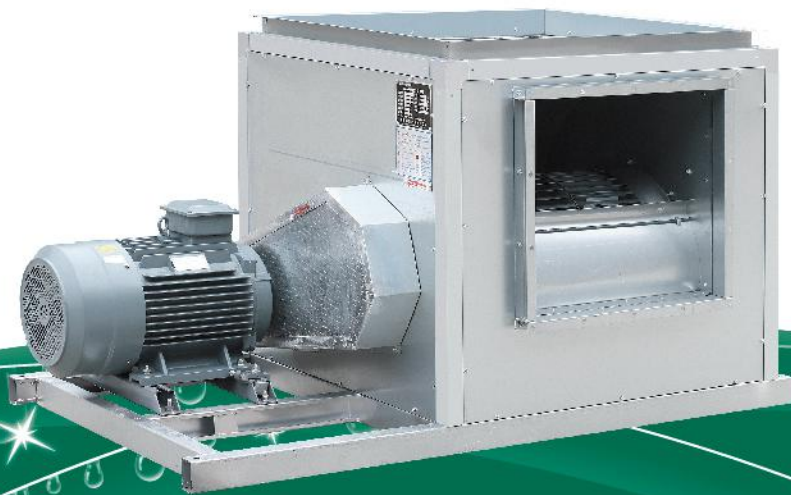


# RUIDONG

HTFC TYPE FIRE EXHAUST  
CENTRIFUGAL FAN BOX



## RUIDONG GROUP

[www.ruidonggroup.com](http://www.ruidonggroup.com)



**Ruidong Group Co., Ltd is one modern large-scale enterprise integrating design, production, sales and installation of central air-conditioning products.**

Ruidong is located in Dezhou City, Shandong Province. The Beijing-Shanghai High-speed Railway and Beijing-Shanghai Expressway passing through the city, make Dezhou become a key coordinate of the national economic artery. The registered capital of the group is one hundred fifty five and a half million yuan, covering an area of 300,000 square meters and construction area of 180,000 square meters.

### **Main business coverage:**

#### **1. Host series:**

- Water cooled series: centrifugal cold (hot) water unit, screw type cold water unit, screw type water (ground) source cooling and heating unit, scroll type water (ground) source cooling and heating unit.
- Air cooled series: screw type cold (hot) water unit, modular type cold (hot) water unit, mini type cold (hot) water unit, VRV series unit.
- Packaged Unitary unit: constant temperature and humidity unit, air (water) cooled unitary unit, dehumidification unit.

#### **2. Direct expansion series:** Rooftop packaged unit, ducted split unit.

#### **3. Terminal series:** Purification air handling unit, combined air handling unit, fresh air unit, fan coil unit series.



## ENTERPRISE PROFILE

4. **Ventilation series:** Fire exhaust fan, roof fan, axial fan, diagonal fan, centrifugal fan, etc.
5. **Engine room equipment:** cyclone sand remover, water separator (separator), decontamination device, demineralized water device, plate heat exchange unit, constant pressure equipment, etc.
6. **Air conditioning accessories:** All kinds of fire valves, regulating valves, tuyere series.
7. **Other products:** Low-temperature industrial chillers, air-conditioning equipment for planting and breeding industries.

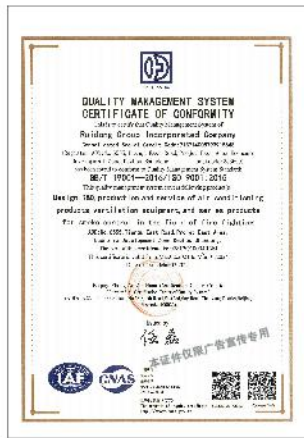
The R & D team composed of high-tech talents will continue to introduce new products, advanced production equipment and adopt the international ISO9001 quality management system as a strong guarantee for product quality. Precision testing equipment and rigorous testing methods are the fundamental insurance of quality and are timely and thoughtful. After-sales service solves the problems that may arise in use for you.

The company has established a complete sales and service system. Set up offices in 18 cities including Beijing, Tianjin, Shanghai, Xi'an, Shenyang, Chengdu and other cities to provide users with timely, efficient and high-quality pre-sales, sales and after-sales services.

Ruidong Air Conditioning wishes you: Cooling air for propitious summer, spring returns with warm air from Ruidong.

# CERTIFICATIONS

Ruidong group always takes "create first-class quality, offer sincere service" as the quality concept, builds customer-oriented quality management system, focuses on teamwork and insists on continuous innovation.



---

# CONTENTS

---

1. Brief introduction .....	P04
2. Working conditions .....	P04
3. Application .....	P05
4. Configuration .....	P05
5. Processing technology .....	P05
6. Specification .....	P06
7. Fan diagram .....	P10
8. Wiring specifications of different power fan motors .....	P11

## 1. BRIEF INTRODUCTION

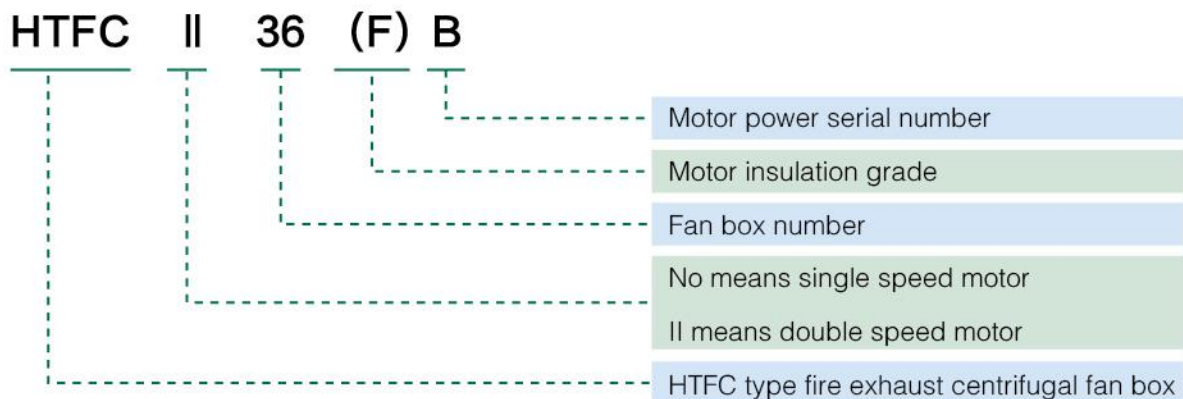
---

1.1 Ventilating centrifugal fan box is a high-efficiency, low-noise box-type centrifugal fan. It is assembled by a low-noise multi-wing centrifugal fan, motor, bearings, transmission parts, galvanized sheet box, etc. According to different installation positions, different angles of air inlet and outlet positions are provided to meet the needs of users in different installation environments. The motor is installed in the box. This type fan box is used in fire and smoke exhaust places, and has been tested by the National Fire-fighting Equipment Supervision and Quality Inspection Center in accordance with the "Fire-fighting Smoke Exhaust Fan High Temperature Test Method". It can run continuously for more than 30 minutes at a high temperature of 280°C.

1.2 The air flow of ventilating centrifugal fan box from 3150-89400m<sup>3</sup>/h, and the full pressure range is 153-1290pa. After continuous improvement and development, the fan can now be divided into two types I and II. Type I with a single-speed motor; type II with a two-speed motor, achieving two-speed speed regulation. Ventilating centrifugal fan box can meet the needs of users for performance adjustment under different working conditions.

1.3 In order to meet the noise requirements of different places, the fan can be equipped with mufflers of different lengths to reduce fan noise.

### 1.4 Model Description



## 2. WORKING CONDITIONS

---

Working temperature: -20-40°C (continuous operation)  
 High temperature resistance: run at 280°C for 30 minutes  
 Humidity: less than 90%  
 Medium conditions: air and high temperature flue gas  
 Power supply: 380V-3PH-50HZ

## 3. APPLICATION

---

Fans can be widely used for ventilation and smoke exhaust in hotels, restaurants, auditoriums, theaters, basements, industrial and mining enterprises, office buildings and other places. Especially in places where low noise and large air flow are required to ventilate and exhaust smoke.



## 4. CONFIGURATION

---

### 4.1 Standard configuration

- Pulleys, belts
- impeller
- Belt cover
- Housing (housing, collector, bracket) · Motor
- Galvanized sheet box · Bearing
- Motor adjust rail · Spindle
- Inlet and outlet flange

### 4.2 Options and accessories (please indicate whether to purchase when ordering)

- Damping equipment
- Control box
- Muffler
- Mating flange
- Motor rain cover

## 5. PROCESSING TECHNOLOGY

---

5.1 The impeller and casing of the fan are made of high-quality galvanized sheet, which are all produced in moulds. Use riveting, bite connection and other means. The surface is clean and flat, and there is no welding distortion.

5.2 The galvanized sheet box body adopts the frame and box board assembly design. The frame is stretched once by an advanced metal cold bending unit. The box board adopts galvanized sheet, the surface is clean and beautiful, and the corrosion resistance is strong. Fans can be disassembled and installed on site.

## 6. SPECIFICATION

### Single speed performance specification

No.	Model	Nameplate model	Motor		Theoretical air flow (m³/h)	Theoretical air pressure (Pa)	Noise (dB)	Weight (kg)	Theoretical efficiency	Theoretical fan speed
			Model	Power(kW)						
1	9	HTFC 9#(F)B	Y90S-4	1.1	3720	401	67.8	73	49	1364
2		HTFC 9#(F)Bb	Y90L-4	1.5	4000	460	71.4	76	50	1450
3		HTFC 9#(F)Bc	Y80M2-4	0.75	3500	250	64.2	69	48	1080
4		HTFC 9#(F)Bd	Y80M1-4	0.55	3150	184	63.4	67	47	1010
5	10	HTFC 10#(F)B	Y90S-4	1.1	4000	410	67.8	84	49	1294
6		HTFC 10#(F)Ba	Y90L-4	1.5	5200	400	71.4	87	50	1272
7		HTFC 10#(F)Bb	Y100L1-4	2.2	5415	547	73	94	51	1420
8		HTFC 10#(F)Bc	Y80M2-4	0.75	3530	328	64.2	80	50	1164
9	12	HTFC 10#(F)Bd	Y80M1-4	0.55	3230	248	63.4	78	49	1044
10		HTFC 12#(F)B	Y90L-4	1.5	6100	353	71.2	86	47	1214
11		HTFC 12#(F)Ba	Y100L1-4	2.2	6750	478	73.4	93	48	1440
12		HTFC 12#(F)Bb	Y100L2-4	3	8048	546	74.4	34	46	1475
13	12.5	HTFC 12#(F)Bc	Y112M-4	4	8300	700	75.1	42	50	1600
14		HTFC 12#(F)Bd	Y90S-4	1.1	5120	338	66.9	22	55	1197
15		HTFC 12.5#(F)B	Y90L-4	1.5	6868	390	71.2	104	50	1240
16		HTFC 12.5#(F)Ba	Y100L1-4	2.2	8057	452	73.4	111	48	1187
17	14	HTFC 12.5#(F)Bb	Y100L2-4	3	8280	500	74.4	34	45	1248
18		HTFC 12.5#(F)Bc	Y112M-4	4	9250	520	75.1	121	37	1296
19		HTFC 12.5#(F)Bd	Y90S-4	1.1	6100	250	66.9	101	50	940
20		HTFC 14#(F)B	Y132S-4	5.5	11671	820	77.2	151	51	1359
21	14	HTFC 14#(F)Ba	Y112M-4	4	11322	550	75.1	134	50	1133
22		HTFC 14#(F)Bb	Y100L1-4	2.2	9233	400	72.7	124	49	1000
23		HTFC 14#(F)Bc	Y90L-4	1.5	8057	300	69.2	117	53	886
24		HTFC 14#(F)Bd	Y100L2-4	3	10350	444	74.3	126	49	1040
25	15	HTFC 14#(F)Be	Y112M-6	2.2	10000	198	69	132	34	810
26		HTFC 14#(F)Bf	Y132M-4	7.5	9000	151	79.3	163	46	1200
27		HTFC 15#(F)B	Y160L-4	15	16000	680	84.5	220	47	1217
28		HTFC 15#(F)B0	Y132S-4	5.5	14000	610	77.6	149	55	1201
29	15	HTFC 15#(F)Ba	Y112M-4	4	12050	580	74.9	132	56	1192
30		HTFC 15#(F)Bb	Y100L1-4	2.2	9500	495	71.5	122	63	1138
31		HTFC 15#(F)Bc	Y90L-4	1.5	8250	344	68	115	59	965
32		HTFC 15#(F)Bd	Y100L2-4	3	10500	560	73.8	124	60	1211
33	18	HTFC 15#(F)Be	Y132M-4	7.5	15800	670	80.7	161	49	1259
34		HTFC 15#(F)Bg	Y132M1-6	4	14010	300	75.2	154	43	890
35		HTFC 15#(F)Bh	Y132S-6	3	12400	180	72	144	32	760
36		HTFC 15#(F)Bi	Y112M-6	2.2	11030	210	69.5	130	40	760
37	18	HTFC 15#(F)Bj	Y160M-4	11	16000	670	81.1	203	49	1259
38		HTFC 18#(F)B	Y132S-4	5.5	15010	556	77.6	192	50	1019
39		HTFC 18#(F)Ba	Y100L2-4	3	13050	400	73.8	167	54	893
40		HTFC 18#(F)Bb	Y112M-4	4	15000	384	74.9	175	46	875
41	20	HTFC 18#(F)Bc	Y100L1-4	2.2	9200	320	71.5	165	40	856
42		HTFC 18#(F)Bd	Y132M-4	7.5	17910	642	81	204	45	1089
43		HTFC 18#(F)Be	Y160M-4	11	18755	900	84	246	50	1254
44		HTFC 18#(F)Bf	Y132M2-6	5.5	16335	350	75.5	206	37	888
45	20	HTFC 18#(F)Bg	Y132M1-6	4	15125	270	75.1	197	36	806
46		HTFC 18#(F)Bh	Y132S-6	3	14000	200	72.2	187	35	731
47		HTFC 18#(F)Bi	Y112M-6	2.2	12200	170	68.5	173	39	532
48		HTFC 20#(F)B	Y132M-4	7.5	20000	640	79.3	230	40	952
49	20	HTFC 20#(F)Ba	Y160M-4	11	21500	900	83	272	55	1168
50		HTFC 20#(F)Bb	Y160L-4	15	23720	950	83.6	289	51	1205
51		HTFC 20#(F)Bc	Y132S-4	5.5	16684	570	78.1	218	56	929
52		HTFC 20#(F)Be	Y100L2-4	3	13700	370	71.6	193	59	787
53	20	HTFC 20#(F)Bf	Y112M-4	4	15892	430	72.3	201	53	819
54		HTFC 20#(F)Bg	Y132M2-6	5.5	20050	301	74.4	232	37	749
55		HTFC 20#(F)Bh	Y132M1-6	4	17200	260	75.1	223	41	687
56		HTFC 20#(F)Bi	Y132S-6	3	15418	200	71.9	213	43	630



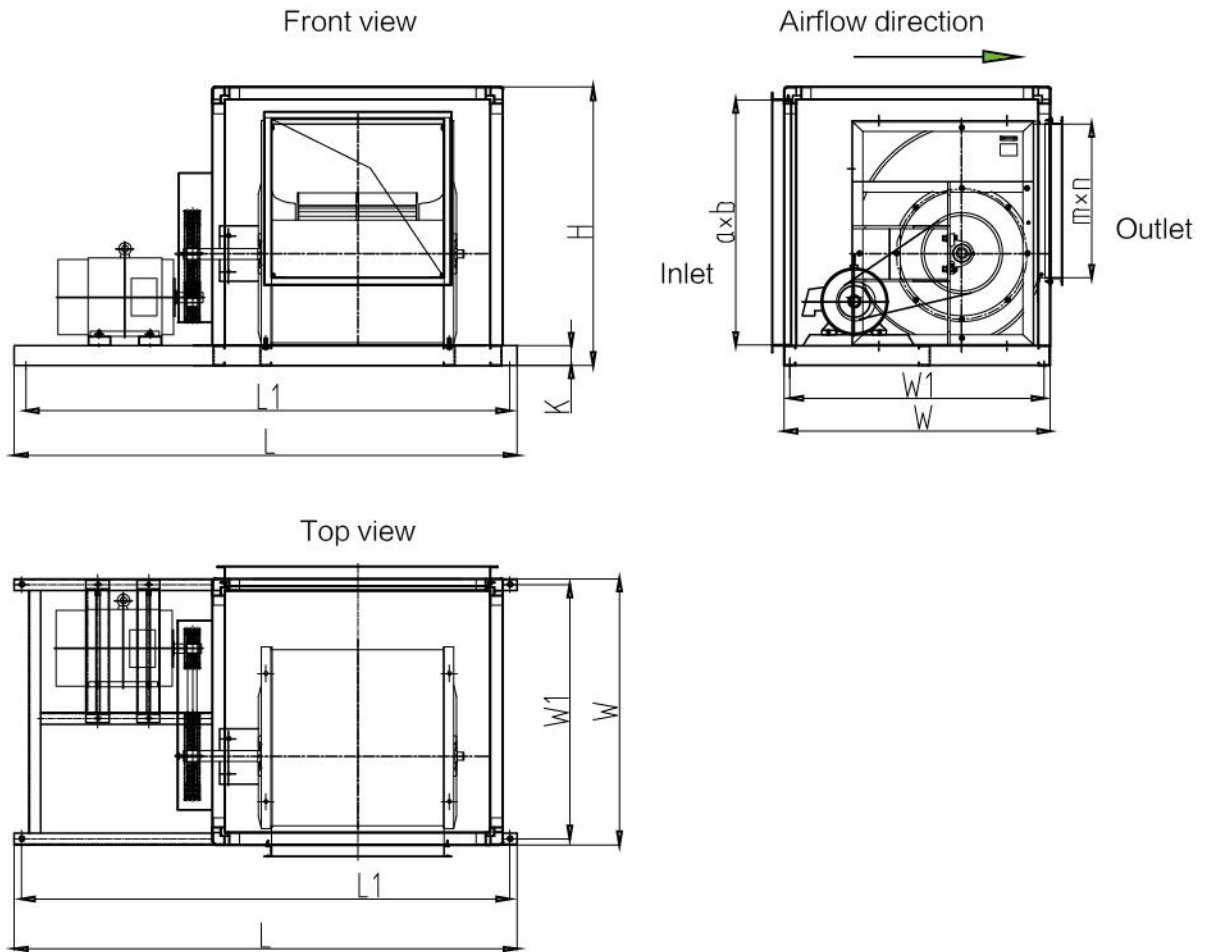
No.	Model	Nameplate model	Motor		Theoretical air flow (m³/h)	Theoretical air pressure (Pa)	Noise (dB)	Weight (kg)	Theoretical efficiency	Theoretical fan speed
			Model	Power(kW)						
57	22	HTFC 22#(F)B	Y132M-4	7.5	22000	620	78.9	192	58	880
58		HTFC 22#(F)Ba	Y160M-4	11	26136	720	82.5	305	53	942
59		HTFC 22#(F)Bb	Y160L-4	15	29350	850	83.9	322	51	1011
60		HTFC 22#(F)Bc	Y180M-4	18.5	30800	1050	84.8	349	53	1113
61		HTFC 22#(F)Be	Y112M-4	4	16000	430	74.2	234	59	771
62		HTFC 22#(F)Bf	Y132S-4	5.5	16632	550	74.8	251	60	856
63		HTFC 22#(F)Bg	Y160M-6	7.5	25000	300	78.9	302	37	671
64		HTFC 22#(F)Bh	Y132M2-6	5.5	23000	250	76.1	265	38	622
65		HTFC 22#(F)Bi	Y132M1-6	4	20000	200	74.6	256	41	570
66		HTFC 25#(F)B	Y160M-4	11	29000	720	80.5	367	67	838
67	25	HTFC 25#(F)Ba	Y160L-4	15	34300	710	84.8	384	50	824
68		HTFC 25#(F)Bb	Y180M-4	18.5	36000	800	84.2	411	50	866
69		HTFC 25#(F)Bd	Y180L-4	22	39800	850	86.1	325	47	900
70		HTFC 25#(F)Bi	Y132M-4	7.5	22400	630	76.4	325	63	826
71		HTFC 25#(F)Bj	Y180M-6	15	35500	470	82.8	415	40	717
72		HTFC 25#(F)Bk	Y160L-6	11	31000	390	80.9	380	42	650
73		HTFC 25#(F)Bl	Y160M-6	7.5	28400	300	78.5	364	43	603
74		HTFC 25#(F)Bm	Y132M2-6	5.5	23700	260	76.1	327	38	563
75		HTFC 25#(F)Bn	Y132M1-6	4	21900	200	74.6	318	38	513
76		HTFC 28#(F)B	Y160L-4	15	33200	830	82.4	448	62	838
77	28	HTFC 28#(F)Ba	Y160M-4	11	27200	700	79.9	431	62	803
78		HTFC 28#(F)Bb	Y180M-4	18.5	38940	840	84.6	475	59	821
79		HTFC 28#(F)Bc	Y180L-4	22	44200	750	85.3	491	50	777
80		HTFC 28#(F)Bd	Y200L-4	30	46020	1010	86.3	546	54	884
81		HTFC 28#(F)Bf	Y132M-4	7.5	20150	550	76.4	389	63	753
82		HTFC 28#(F)Bh	Y200L1-6	18.5	42480	630	84.2	532	48	725
83		HTFC 28#(F)Bi	Y180L-6	15	32020	480	82.8	479	48	650
84		HTFC 28#(F)Bj	Y160L-6	11	34360	450	79.9	444	53	638
85		HTFC 28#(F)Bk	Y160M-6	7.5	26070	420	78.2	428	51	640
86		HTFC 30#(F)Bo	Y200L1-6	18.5	46488	750	82.4	594	62	717
87	30	HTFC 30#(F)B	Y225M-4	45	57600	1010	89.8	685	60	740
88		HTFC 30#(F)Ba	Y160L-4	15	32184	900	82.3	510	65	808
89		HTFC 30#(F)Bb	Y180M-4	18.5	41720	750	82.5	537	62	717
90		HTFC 30#(F)Bc	Y180L-4	22	46488	900	84.3	553	62	768
91		HTFC 30#(F)Bd	Y200L-4	30	54240	950	87.4	608	59	772
92		HTFC 30#(F)Be	Y225S-4	37	57000	1050	87.7	657	56	795
93		HTFC 30#(F)Bf	Y160M-4	11	19100	800	80.1	493	55	802
94		HTFC 30#(F)Bg	Y225M-6	30	59600	680	86.5	670	46	672
95		HTFC 30#(F)Bh	Y200L2-6	22	51256	630	85.7	606	53	648
96		HTFC 30#(F)Bi	Y180L-6	15	44000	550	80.6	541	57	617
97		HTFC 30#(F)Bj	Y160L-6	11	35760	500	80.9	506	62	607
98		HTFC 30#(F)Bk	Y160M-6	7.5	29800	400	75.8	490	63	569
99		HTFC 30#(F)Bl	Y132M2-6	5.5	26230	250	72.5	453	63	487
100	36	HTFC 36#(F)B	Y200L1-6	18.5	49900	600	83.1	691	63	579
101		HTFC 36#(F)Ba	Y200L2-6	22	54700	630	84.5	703	61	582
102		HTFC 36#(F)Bb	Y225M-6	30	60580	800	86.5	767	61	642
103		HTFC 36#(F)Bc	Y250M-6	37	68900	850	88.4	836	56	650
104		HTFC 36#(F)Bd	Y280S-6	45	76700	910	89.2	929	51	663
105		HTFC 36#(F)Be	Y180L-6	15	50500	430	81.3	628	58	502
106		HTFC 36#(F)Bf	Y160L-6	11	45150	350	80.6	603	61	470
107		HTFC 36#(F)Bg	Y180M-4	18.5	34450	950	83.2	634	63	758
108		HTFC 36#(F)Bh	Y180L-4	22	39800	1000	83.7	650	63	768
109		HTFC 36#(F)Bi	Y200L-4	30	48800	1100	85.5	705	64	779
110		HTFC 36#(F)Bj	Y225S-4	37	55840	1150	87.8	754	63	776
111		HTFC 36#(F)Bk	Y225M--4	45	71000	1150	89.7	782	61	746
112	40	HTFC 40#(F)B	Y280M-6	55	84000	1100	84.0	1074	64	609
113		HTFC 40#(F)B0	Y250M-6	37	75000	900	82.0	933	61	609
114		HTFC 40#(F)Ba	Y225M-6	30	70000	750	83.0	864	62	569
115		HTFC 40#(F)Bb	Y280S-6	45	79900	1000	84.0	1026	62	642
116		HTFC 40#(F)Bd	Y200L2-6	22	51260	750	80.0	800	66	591
117		HTFC 40#(F)Be	Y200L1-6	18.5	50100	660	80.0	788	66	561
118		HTFC 40#(F)Bf	Y180M-6	15	48872	500	73.0	725	65	500
119		HTFC 40#(F)Bg	Y225S-4	37	59600	1100	85.0	851	66	692
120		HTFC 40#(F)Bh	Y200L-4	30	51200	1100	83.0	802	65	705
121		HTFC 40#(F)Bi	Y225M--4	45	71600	1150	85.0	879	64	690
122		HTFC 40#(F)j	Y250M-4	55	89400	1150	86.0	955	61	670

## Two-speed performance specification

No.	Model	Nameplate model	Motor		Theoretical air flow (m³/h)	Theoretical air pressure (Pa)	Noise (dB)	Weight (kg)	Theoretical efficiency	Theoretical fan speed	
			Model	Power(kW)						Low	High
	9	HTFC II 9#(F)B	YDT 100L-6/4	0.6/1.8	2640/4000	201/460	78	82	47/50	960	1450
1	10	HTFC II 10#(F)B	YDT 100L1-6/4	0.7/2.2	3578/5415	239/550	78	94	49/51	932	1420
2	12	HTFC II 12#(F)B	YDT 100L1-6/4	0.7/2.2	4445/6750	209/478	78	93	46/48	780	1214
3		HTFC II 12#(F)Bd	YDT 112M-6/4	1.1/3.2	5327/8048	239/546	82	103	44/46	926	1440
4		HTFC II 12#(F)Be	YDT 132S-6/4	1.5/4.7	5277/7970	306/700	82	120	49/50	914	1400
5		HTFC II 12#(F)Bf	YD 132S-6/4	3/4	5277/7970	306/700	82	116	49/50	914	1400
6	12.5	HTFC II 12.5#(F)B	YDT 100L1-6/4	0.7/2.2	5333/8057	198/452	78	111	46/48	821	1240
7		HTFC II 12.5#(F)Ba	YDT 112M-6/4	1.1/3.2	5481/8280	218/500	82	121	44/45	786	1187
8		HTFC II 12.5#(F)Bb	YDT 132S-6/4	1.5/4.7	6123/9450	228/520	82	138	35/37	858	1296
9		HTFC II 12.5#(F)Bc	YD 132S-6/4	3/4	6123/9450	228/520	82	134	35/37	858	1296
10	14	HTFC II 14#(F)B	YDT 160M-6/4	3.1/9.5	7977/12050	364/830	86	201	45/46	914	1380
11		HTFC II 14#(F)Ba	YD 132M-6/4	4/5.5	7726/11671	359/820	86	163	49/51	899	1359
12		HTFC II 14#(F)Bb	YD 160M-6/4	6.5/8	7977/12050	364/830	86	205	45/46	914	1380
13		HTFC II 14#(F)Bc	YDT 132S-6/4	1.5/4.7	7495/11322	241550	82	151	48/50	750	1133
14		HTFC II 14#(F)d	YD 132S-6/4	3/4	7495/11322	241550	82	147	48/50	750	1133
15		HTFC II 14#(F)Be	YD 112M-6/4	2.2/2.8	6157/9300	175/400	82	132	47/49	675	1020
16		HTFC II 14#(F)Bf	YD 100L2-6/4	1.5/2.2	6112/9233	153/350	80	127	48/49	619	935
17	15	HTFC II 15#(F)B	YD 180L-6/4	13/16	10593/16000	298/680	90	251	46/47	808	1217
18		HTFC II 15#(F)B0	YDT 160M-6/4	3.1/9.5	10460/15800	293/670	86	199	48/49	833	1259
19		HTFC II 15#(F)Ba	YD 132M-6/4	4/5.5	9268/14000	267/610	86	161	51/55	795	1201
20		HTFC II 15#(F)Bb	YD 160M-6/4	6.5/8	10460/15800	293/670	86	203	48/49	833	1259
21		HTFC II 15#(F)Bc	YDT 132S-6/4	1.5/4.7	7977/12050	254/580	82	149	53/56	789	1192
22		HTFC II 15#(F)Bd	YD 132S-6/4	3/4	7977/12050	254/580	82	145	53/56	789	1192
23		HTFC II 15#(F)Be	YD 112M-6/4	2.2/2.8	6951/10500	245/560	82	130	47/49	801	1211
24		HTFC II 15#(F)Bf	YD 100L2-6/4	1.5/2.2	6222/9500	217/495	80	125	60/63	753	1138
25	18	HTFC II 18#(F)B	YD-160M-6/4	6.5/8	11856/17910	281/642	86	246	43/45	721	1089
26		HTFC II 18#(F)Ba	YD 132S-6/4	3/4	9930/15000	168/384	82	188	45/46	702	1060
27		HTFC II 18#(F)Bb	YDT 160M-6/4	2.8/8	11856/17910	281/642	86	242	43/45	721	1089
28		HTFC II 18#(F)Bc	YDT 160L-6/4	4/12	12416/18755	394/900	86	250	48/50	830	1254
29		HTFC II 18#(F)Bd	YD 160L-6/4	9/11	12416/18755	394/900	86	263	48/50	830	1254
30		HTFC II 18#(F)Bh	YDT 180M-6/4	5.1/15.5	13540/20500	402/920	90	290	43/45	894	1350
31		HTFC II 18#(F)Bi	YD 180M-6/4	11/14	13240/20000	398/910	91	290	46/47	894	1350
32		HTFC II 18#(F)Bj	YD 132M-6/4	4/5.5	9936/15010	243/556	86	204	48/50	670	1027
33		HTFC II 18#(F)Bk	YDT 160M-6/4	3.1/9.5	11856/17910	281/642	86	242	43/45	721	1089
34		HTFC II 18#(F)Bl	YD 160M-8/6	4.5/6	12705/16940	169/301	83	246	34/35	665	886
35	20	HTFC II 20#(F)B	YD 160L-6/4	9/11	14233/21500	394/900	86	289	42/55	773	1168
36		HTFC II 20#(F)Ba	YD 180L-6/4	13/16	15643/23720	416/950	90	320	48/51	695	1050
37		HTFC II 20#(F)Bb	YD-160M-6/4	6.5/8	13240/20000	280/640	86	272	38/40	630	952
38		HTFC II 20#(F)Bc	YDT 160L-6/4	4/12	14233/21500	394/900	86	276	42/55	773	1168
39		HTFC II 20#(F)Bd	YDT 180M-6/4	5.1/15.5	15643/23720	416/950	90	316	48/51	695	1050
40		HTFC II 20#(F)Bf	YD 180M-6/4	11/14	15643/23630	416/950	91	316	48/51	695	1050
41		HTFC II 20#(F)Bi	YDT 180L-6/4	6.2/18	17874/27000	429/980	90	319	43/44	786	1188
42		HTFC II 20#(F)Bj	YDT 180L-6/4	5.5/17	16550/25000	429/980	90	319	43/44	798	1205
43		HTFC II 20#(F)Bk	YD 132M-6/4	4/5.5	11044/16684	249/570	86	230	54/56	615	929
44		HTFC II 20#(F)Bl	YDT 160M-6/4	3.1/9.5	13240/20000	280/640	86	268	38/40	630	952
45		HTFC II 20#(F)Bm	YDT 132M2-8/6	2.2/4.5	13343/17790	146/260	79	232	39/41	515	687
46		HTFC II 20#(F)Bn	YDT 160M-8/6	3.2/6.5	15040/20050	169/301	83	254	35/37	562	749
47		HTFC II 20#(F)Bp	YD 160M-8/6	4.5/6	15040/20050	169/301	83	272	35/37	562	749

No.	Model	Nameplate model	Motor		Theoretical air flow (m³/h)	Theoretical air pressure (Pa)	Noise (dB)	Weight (kg)	Theoretical efficiency	Theoretical fan speed	
			Model	Power(kW)						Low	High
48	22	HTFC II 22#(F)B	YD 180M-6/4	11/14	19429/27350	372/850	91	351	48/51	669	1011
49		HTFC II 22#(F)Bb	YDT 180L-6/4	6.2/18	20389/30800	4601050	90	352	49/53	737	1113
50		HTFC II 22#(F)Bc	YDT 160M-6/4	3.1/9.5	15226/23000	271/620	86	301	52/58	583	880
51		HTFC II 22#(F)Bd	YDT 180M-6/4	5.1/15.5	19429/29350	372/850	90	349	48/51	669	1011
52		HTFC II 22#(F)Be	YDT 160L-6/4	4/12	173020/26136	315/720	86	309	50/53	624	942
53		HTFC II 22#(F)Bf	YD 160L-6/4	9/11	173020/26136	315/720	86	322	50/53	624	942
54		HTFC II 22#(F)Bg	YD 180L-6/4	13/16	19429/29350	372/850	90	353	48/51	669	1011
55		HTFC II 22#(F)Bh	YD-160M-6/4	6.5/8	14564/22000	271/620	86	305	52/58	583	880
56		HTFC II 22#(F)Bm	YDT 180L-6/4	5.5/17	20389/28800	4601050	90	352	49/53	737	1113
57		HTFC II 22#(F)Bn	YD 160L-8/6	6/8	18750/25000	169/300	83	318	35/37	503	671
58		HTFC II 22#(F)Bp	YDT 160L-8/6	4.5/9	18750/25000	169/300	83	302	35/37	503	671
59		HTFC II 22#(F)Bq	YD 160M-8/6	4.5/6	17250/23000	141/250	83	305	36/38	467	622
60		HTFC II 22#(F)Bu	YD 180L-8/6	9/12	21375/28500	281/501	86	347	37/40	615	820
61		HTFC II 22#(F)BV	YDT 132M2-8/6	2.2/4.5	15000/20000	113/200	79	265	40/41	428	570
62	25	HTFC II 25#(F)B	YDT-200L-6/4	8.5/24	26345/39800	408/850	90	494	45/47	596	900
63		HTFC II 25#(F)Ba	YDT-180L2-6/4	10/20	25020/37800	364/830	90	488	45/47	587	886
64		HTFC II 25#(F)Bb	YDT 180M-6/4	5.1/15.5	22700/34300	310/710	90	411	49/50	545	824
65		HTFC II 25#(F)Bc	YDT 180L-6/4	6.2/18	23832/36000	350/800	90	414	48/50	573	866
66		HTFC II 25#(F)Bd	YD 200L-6/4	18.5/22	26345/39800	408/850	90	467	45/47	596	900
67		HTFC II 25#(F)Be	YD 180L-6/4	13/16	22700/34300	310/710	90	415	49/50	545	824
68		HTFC II 25#(F)Bf	YD-160L-6/4	9/11	19120/29000	315/720	86	384	63/67	456.78	690
69		HTFC II 25#(F)Bi	YDT 180L-6/4	5.5/17	22700/34300	310/710	90	414	49/50	545	824
70		HTFC II 25#(F)Bj	YD-180M-6/4	11/14	21148/32000	310/710	90	411	49/51	545	824
71		HTFC II 25#(F)Bk	YDT 160L-6/4	4/12	19120/29000	315/720	86	371	63/67	456.78	690
72		HTFC II 25#(F)Bl	YDT 200L1-8/6	8.5/17	28837/38450	264/470	83	474	35/36	554	738
73		HTFC II 25#(F)Bm	YD 180L-8/6	9/12	24000/32000	219/390	79	409	41/42	488	650
74		HTFC II 25#(F)Bn	YDT 180L-8/6	6.5/13	24000/32000	219/390	86	409	41/42	488	650
75		HTFC II 25#(F)Bp	YDT 160M-6/4	3.1/9.5	14829/22400	276/630	86	363	61/63	547	826
76	HTFC II 25#(F)Bq	YDT -160L-8/6	4.5/9	21300/28400	169/300	83	364	42/43	452	603	
77	28	HTFC II 28#(F)B	YDT-225S-6/4	11/33	31789/48020	442/1010	91	611	52/54	585	884
78		HTFC II 28#(F)Ba	YDT 180M-6/4	5.1/15.5	21978/33200	364/830	90	475	60/62	555	838
79		HTFC II 28#(F)Bb	YDT 180L-6/4	6.2/18	25778/38940	368/840	90	478	58/59	544	821
80		HTFC II 28#(F)Bc	YD 200L-6/4	18.5/22	29260/44200	328/750	90	531	48/50	514	777
81		HTFC II 28#(F)Bd	YD 180L-6/4	13/16	21978/33200	364/830	90	479	60/62	555	838
82		HTFC II 28#(F)Be	YD 225S--6/4	22/28	30465/46020	438/1000	94	608	52/54	579	875
83		HTFC II 28#(F)Bf	YDT 180L-6/4	5.5/17	24957/37670	341/780	90	478	59/62	525	793
84		HTFC II 28#(F)Bh	YDT 200L-6/4	8.5/24	30055/45400	328/780	90	558	50/53	518	782
85		HTFC II 28#(F)Bh	YDT 160L-6/4	4/12	18006/27200	307/700	86	435	60/62	532	803
86		HTFC II 28#(F)Bi	YD 180M-6/4	11/14	20460/33000	364/800	91	475	60/62	555	838
87		HTFC II 28#(F)Bl	YD 160L-6/4	9/11	18006/27200	307/700	86	448	60/62	532	803
88		HTFC II 28#(F)Bn	YDT 200L2-8/6	11/21	34690/46250	309/550	83	552	42/43	524	699
89		HTFC II 28#(F)Bp	YDT 200L1-8/6	8.5/17	30243/40324	270/480	83	538	47/49	491	655
90		HTFC II 28#(F)Bq	YDT 180L-8/6	6.5/13	27000/36000	253/450	86	473	52/55	482	642
91	HTFC II 28#(F)Br	YD 180L-8/6	9/12	25770/34360	253/450	86	473	50/53	479	638	
92	30	HTFC II 30#(F)B	YD 280S-6/4	42/55	38135/57600	443/1010	96	832	56/60	490	740
93		HTFC II 30#(F)B0	YDT 225S-8/6	12/25	35904/54236	298/680	90	663	49/51	442	668
94		HTFC II 30#(F)Ba	YDT 200L-6/4	8.5/24	31445/47500	394/900	90	620	60/62	508	768
95		HTFC II 30#(F)Bb	YDT-225S-6/4	11/33	37230/56240	416/950	91	673	57/59	511	772
96		HTFC II 30#(F)Bc	YD 225M-6/4	26/32	35906/54240	416/950	94	685	57/59	511	772
97		HTFC II 30#(F)Bd	YDT 225M-6/4	13/38	38667/58410	429/980	91	685	54/56	515	778
98		HTFC II 30#(F)Be	YDT 180M-6/4	5.1/15.5	21306/32184	394/900	91	537	62/65	535	808
99		HTFC II 30#(F)Bf	YD 180L-6/4	13/16	21306/32184	394/900	94	541	62/65	535	808
100		HTFC II 30#(F)Bg	YD 200L-6/4	18.5/22	30775/46488	394/900	90	593	60/62	508	768
101		HTFC II 30#(F)Bh	YD 225S-6/4	22/28	34232/51710	416/950	94	670	50/53	423.68	640
102		HTFC II 30#(F)Bi	YDT 180L-6/4	6.2/18	27620/41720	329/750	90	540	60/62	475	717
103		HTFC II 30#(F)Bj	YDT 180L-8/6	6.5/13	26820/35760	281/500	86	535	60/62	463	617
104		HTFC II 30#(F)Bk	YD 200L2-8/6	15/20	38442/51256	354/630	88	605	50/53	486	648
105		HTFC II 30#(F)Bl	YDT 200L1-8/6	8.5/17	34866/46488	366/650	83	600	59/62	488	651
106	HTFC II 30#(F)Bm	YDT 225M-8/6	15/30	44700/59600	383/680	91	685	45/46	504	672	
107	HTFC II 30#(F)Bn	YDT 200L2-8/6	11/21	38442/51256	354/630	83	614	51/53	486	648	
108	HTFC II 30#(F)Bp	YDT 250M2-6/4	16/47	38135/57600	443/1010	93	760	56/60	490	740	
109	HTFC II 30#(F)Bq	YD 250M-6/4	32/42	38135/57000	443/1000	96	739	56/60	490	740	

## 7. DIAGRAM



	L (mm)	L1	W (mm)	W1	H (mm)	Box L (mm)	Box W (mm)	Box H (mm)	Outlet m(mm)	Outlet n(mm)	Inlet a(mm)	Inlet b(mm)
HTFC 9# (F)	1140	1080	650	602	593	650	650	530	290	290	546	476
HTFC 10# (F)	1230	1170	700	652	643	700	700	580	322	322	596	526
HTFC 12# (F)	1250	1190	700	652	643	730	700	580	382	322	626	526
HTFC 12.5# (F)	1280	1220	700	652	698	750	700	635	360	360	646	581
HTFC 14# (F)	1420	1360	800	752	800	900	800	737	404	404	696	683
HTFC 15# (F)	1692	1632	800	752	800	900	800	737	524	404	796	683
HTFC 18# (F)	1740	1680	850	802	833	950	850	770	514	454	846	716
HTFC 20# (F)	1840	1780	950	902	915	1050	950	852	568	506	946	790
HTFC 22# (F)	1910	1850	1010	962	1010	1120	1010	930	638	568	1016	876
HTFC 25# (F)	2080	2020	1100	1052	1150	1200	1100	1070	714	638	1096	1016
HTFC 28# (F)	2250	2190	1210	1162	1240	1400	1210	1140	800	714	1096	1016
HTFC 30# (F)	2403	2343	1360	1312	1360	1360	1360	1260	898	800	1296	1096
HTFC 36# (F)	2700	2640	1500	1452	1520	1500	1500	1420	1006	898	1495	1365
HTFC 40# (F)	2940	2880	1750	1702	1700	1700	1750	1600	1130	1006	1645	1545

## 8. WIRING SPECIFICATIONS OF DIFFERENT POWER FAN MOTORS

Fan motor power	Power supply	Fan motor wiring specification mm <sup>2</sup> (National standard copper cable)	
		Direct start or variable frequency start	star-delta start
0.30KW~ 0.55KW	AC220V 50Hz	YJV 3*1.5	
0.75KW~ 1.1KW	AC220V 50Hz	YJV 3*2.5	
0.30KW~ 2.2KW	AC380V 50Hz	YJV 4*1.5	
3KW ~ 4KW	AC380V 50Hz	YJV 4*2.5	
5.5KW~ 7.5KW	AC380V 50Hz	YJV 4*4	
11KW	AC380V 50Hz	YJV 4*6	
15KW ~ 18.5KW	AC380V 50Hz	YJV 3*10+1*6	Two groups YJV 4*6
22KW	AC380V 50Hz	YJV 3*16+1*10	Two groups YJV 4*6
30KW	AC380V 50Hz	YJV 3*25+1*16	Two groups YJV 3*10+1*6
37KW	AC380V 50Hz	YJV 3*35+1*16	Two groups YJV 3*16+1*10
45KW	AC380V 50Hz	YJV 3*35+1*16	Two groups YJV 3*25+1*16
55KW	AC380V 50Hz	YJV 3*50+1*25	Two groups YJV 3*35+1*16
75KW	AC380V 50Hz	YJV 3*70+1*35	Two groups YJV 3*50+1*25

**Remarks:**

The wiring specifications are calculated based on the wiring length of 20m. If the distance exceeds this standard, please recalculate.

## TESTING CENTER



Testing center covers an area of 6500 square meters; total investment of 50 million RMB, is the largest and most complete detection device in the north of China , the testing range is from household air conditioner to the centrifuge chillers.

Testing center adopt internationally renowned brand measuring instruments, including the United States Agilent data acquisition, Japan Yokogawa power meter, Saibi Ling platinum thermal resistance, to ensure the test accuracy.

Testing center can test multi-unit, air-cooled unit, fan coil unit, ceiling air handling unit, modular air handling unit, purifying air conditioning unit, water loop heat unit, air-cooled module chiller and air-cooled screw chiller.

---

# MAIN PROJECTS

---



High school building in Brazil



Presidential palace of Kazakhstan



Shanxi Dingxiang County People's Court



Shanxi Yuncheng odd Star Technology Co., Ltd



Beijing Grand Oriental Hotel



Shanxi Linfen High Speed Rail Station



Beijing Sihui building materials city



Shanxi Tongmei Group Zhangze Power Puzhou Power Generation Branch



**For more information, please visit our website [www.ruidonggroup.com](http://www.ruidonggroup.com).**

---

**Export Office Add: No.129, Yingxiongshan Road, Jinan, Shandong, China**

**Factory Add: No.6555 Tianqu East Road, Economic Development Zone, Dezhou, Shandong, China**

**Tel: 0086-531-83199577 Mobile: 0086-15505347651 Mail: [sales@ruidonggroup.com](mailto:sales@ruidonggroup.com)**

---

**Version number: 2021.08**

The contents will be changed due to product updates without prior notice, please refer to the actual product.

This document has been proofread many times, but there may still be errors or omissions, please understand.